



RUBBER WALL GUARDS



FEATURES AND ADVANTAGES

A range of solid rubber Wall Guards designed to be easily and securely fixed to walls. WARRIOR wall guards can wrap around steel or concrete bollards, absorbing impact and reduce damage to property.

The Guard is supplied in a large range of thicknesses and widths. The screw head is concealed in the recessed grooves, stopping any accidental damage to property or vehicles. This range of Buffers can be fixed horizontally or vertically along walls, Round columns and Ramp areas. The Wall Buffers can be fitted to many surfaces: brick, plaster, steel and concrete. Designed to absorb impact damage in loading bays, service areas and car parks, the solid rubber guards are fixed at a distance of 500mm to accommodate the anchor bolts and reduce the risk of accidental damage. We supply the E" guards cut to the exact length to suit your site.



AVAILABLE SIZES

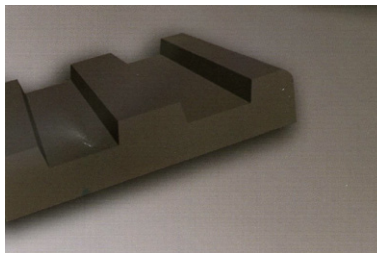
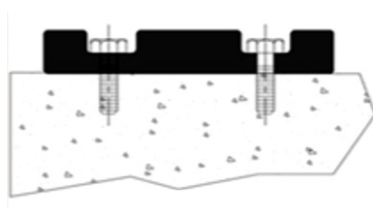
MODEL	WIDTH (A)	THICKNESS (B)
AWG1203 09	120	30
AWG1503 09	150	30
AWG1505 09	150	50
AWG200359	200	35
AWG2005 09	200	50
AWG2010 09	200	100
AWG3005 09	300	50

Wall Guards can be made as per your specific Width. Thickness and Length.
Overall dimensional Tolerances $\pm 5\%$
Available in Full Black and with Yellow strip
All Dimensions in mm

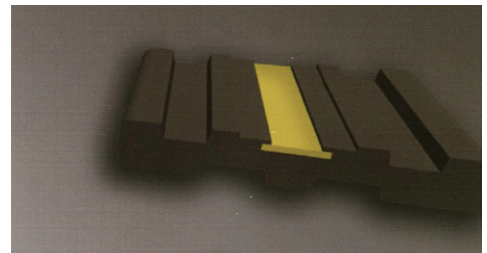
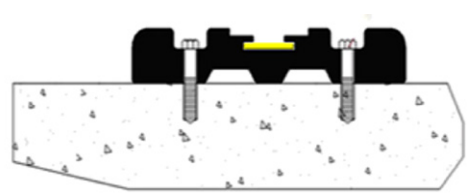


TYPES OF WALL GUARDS

E Type Fender Plain



E Type Fender with Yellow Strip



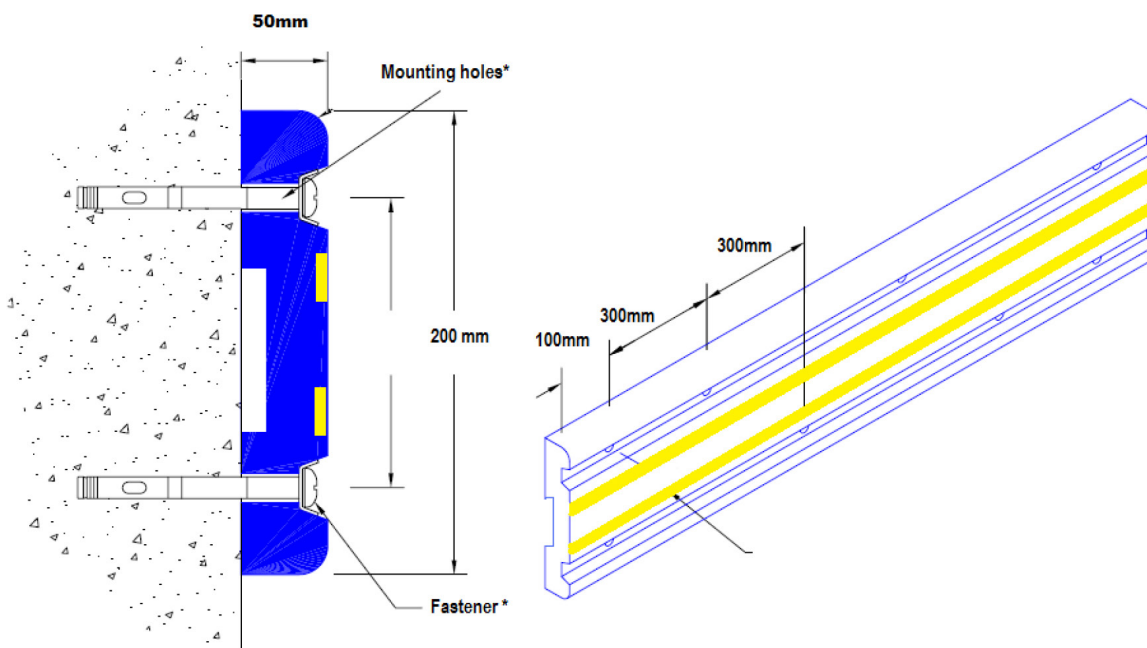


RUBBER WALL GUARDS



METHOD STATEMENT

Product Name: Wall Guard



* Standard bumper is supplied undrilled



ASSEMBLE / INSTALLATION

Items required to install the Wall Guard product in the field

a) M6 or M8 X 90 mm Length Anchor bolt - 6 sets / mtr

- First check the bolt length and size.
- Check the fixing surface; it should be flat and perfect.
- Clean the surface before clamping.
- Mark the 6 hole positions as per the drawing pitch distance and make a 10 mm hole, for continuous clamping 400 mm clamping distance to be given.
- Mark two horizontal lines at a distance of 200 mm in the clamping surface.
- Keep the wall guard inside the lines and mark the 6 holes position in the concrete surface.
- Make a 16 mm dia. drill hole at a deep of 40 mm with the help of drilling m/c in the marked 6 bolt positions.
- Insert the Fischer inside the drilled holes in straight position
- Keep the wall guard in the fixing surface and clamp it with the 6 bolts.
- For more than 1 mtr length wall guard clamping, top and side surfaces should be matched together before marking and clamping.
- Bolt head should be inside the groove and it should not be projected outside.
- Insert yellow strips in the slot.